

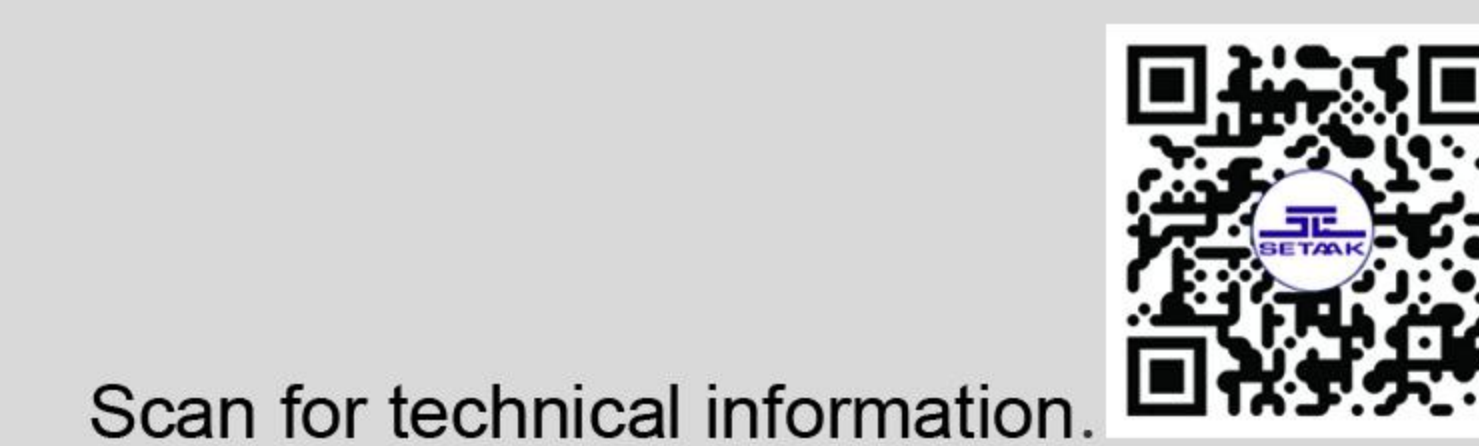
**SETAK**  
www.setaak.com

-  Standard Parts
-  Gas Appliance Components
-  Gas Controls
-  Dies and Moulds
-  Machines
-  Adhesives, Sprays

Between 23 and 24 Blocks,  
Ataolmolk St, Amirkabir  
Industrial Zone, Esfahan, IRAN

**SETAK**  
Gas Controls

January 2022



Scan for technical information.



**SET144/RQ**

P<sub>1</sub>max:360mbar  
DN65  
DN80



8

COMING SOON

**SET144/RQ**

P<sub>1</sub>max:360mbar  
DN40  
DN50



7

COMING SOON

**SET144/RQ**

P<sub>1</sub>max:360mbar  
DN25



6

COMING SOON

**SET144/RQ**

P<sub>1</sub>max:200mbar  
DN15  
DN20



5

NEW

Fast opening Solenoid Valve

**SET144/SQ**

P<sub>1</sub>max:360mbar  
DN65  
DN80



12

COMING SOON

**SET144/SQ**

P<sub>1</sub>max:360mbar  
DN40  
DN50



11

COMING SOON

**SET144/SQ**

P<sub>1</sub>max:360mbar  
DN25



10

COMING SOON

**SET144/SQ**

P<sub>1</sub>max:360mbar  
DN15  
DN20



9

NEW

Slow Opening Solenoid Valve

**SET151**

P<sub>1</sub>max:5bar  
DN25



14

**SET150**

P<sub>1</sub>max:500mbar  
DN25



13

Relief Valve

**SET250**

P<sub>1</sub>max:2bar  
DN25



17

**SET245**

P<sub>1</sub>max:500mbar  
DN15  
DN20  
DN25



16

**SET203**

P<sub>1</sub>max:170mbar  
DN20



15

**SET201**

P<sub>1</sub>max:170mbar  
DN15



15

**SET251**

P<sub>1</sub>max:500mbar  
DN65  
DN80



20

NEW

**SET252H**

P<sub>1</sub>max:5bar  
DN40  
DN50



19

**SET252**

P<sub>1</sub>max:2bar  
DN40  
DN50



18

Regulators

**SET285**

P<sub>1</sub>max:500mbar  
DN40  
DN50



21

**SET282**

P<sub>1</sub>max:500mbar  
DN25



21

Gas/Air Ratio Control



Scan for technical information

**SET275**

P<sub>1</sub>max:5bar  
DN40  
DN50



24

**SET271**

P<sub>1</sub>max:5bar  
DN40  
DN50



23

Lever Hand & Shut off Valve

**SET352X**

P<sub>1</sub>max:2bar,6bar  
DN40  
DN50



26

**SET352**

P<sub>1</sub>max:2bar,6bar  
DN40  
DN50



25

**SET345**

P<sub>1</sub>max:2bar,6bar  
DN15  
DN20  
DN25



25

**SET304**

P<sub>1</sub>max:2bar  
DN20



25

**SET351**

P<sub>1</sub>max:2bar,6bar  
DN100



26

**SET351**

P<sub>1</sub>max:2bar,6bar  
DN80



26

**SET351**

P<sub>1</sub>max:2bar,6bar  
DN65



26

Regulator+Max.Pressure Shut.off Valve Filters

**SET852(H)**

P<sub>1</sub>max:5bar  
DN40  
DN50

**NEW**



27

**SET293**

P<sub>1</sub>max:10bar

**NEW**



30

**SET292**

P<sub>1</sub>max:1.4bar



29

**SET291**

P<sub>1</sub>max:17.5bar



28

Regulator for LPG

**LOCSET**



32

**SET953**



31

**SET950X**

DN25



31

**SET952**

DN40  
DN50



31

Accessories



تجدید و نوآوری



SETAAK Company with 25 years of experience in mass production, has started an endless path to progress and success. SETAAK Gas Burner Controls are produced following international standards under the supervision of the gas controls and metallurgy laboratories with advanced and calibrated testing equipment.

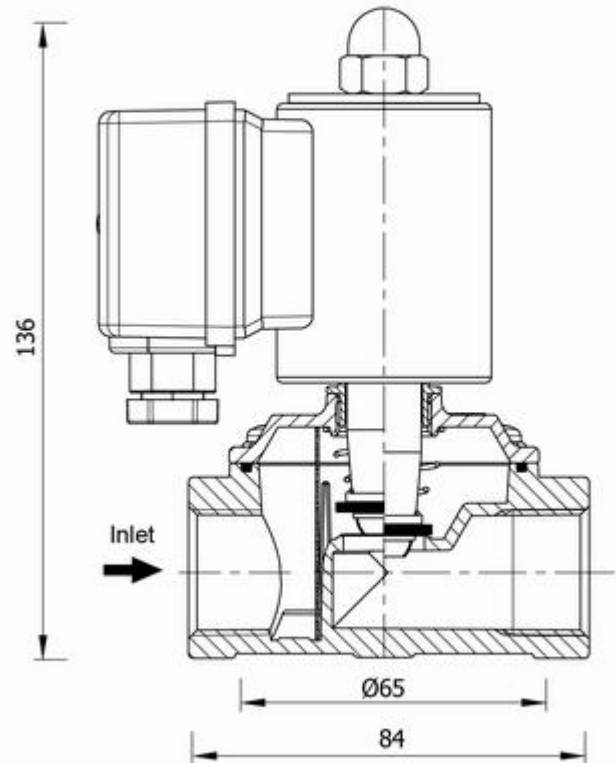
In addition, with more than 350 employees and dozens of specialized engineers, SETAAK has a strong research and development unit that has empowered the company to add at least 5 new products in the field of the Gas Line Controls to its product list for each year.



**FAST OPENING SOLENOID VALVE**

**SET144/RQ**

P<sub>imax</sub>: 200mbar/DN15,20



Normally closed automatic fast opening solenoid valve opens the flow of gas when the coil is electrically powered and closes when it off. It can be controlled by thermostats, switches, etc.

**Specifications:**

ISIRI 6800 certification according to EN 161 – EN 13611

Sealing force classification: A

Temperature range: -20 C to 60 C

Gas type: NG, LPG, Town gas, AIR

Supply voltages: 230 V/50-60 Hz

Supply voltage tolerance: -15% ... +10%

Cable gland: PG09

No. cycles/hour: ~1800 (ON time 1s - OFF time 1s)

Energy saving: No

Maximum inlet pressure: 200 mbar

Weight: 0.85 kg

Opening time: <1 S

Closing time: <1 S

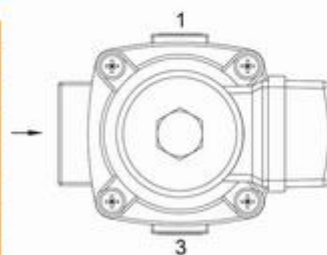
Protection rating: IP54

Connection: DN15 (Rp 1/2), DN20 (Rp 3/4)

Thread According to ISO 7-1, EN 10226

Filtration element type: metal mesh according to ISIRI 6800

Example of ordering code	
Type	SET144
Fast opening(R) + adjustable flow(Q)	/RQ
Nominal size (Rp 3/4)	/DN20
Maximum inlet pressure (200 mbar)	/020
Supply voltages	/230
Status when off (Normally Closed)	/NC
Ordering code	SET144/RQ/DN20/020/230/NC



**Pressure Measuring Spots**  
Use Caps (G1/4) to Measure Pressure.

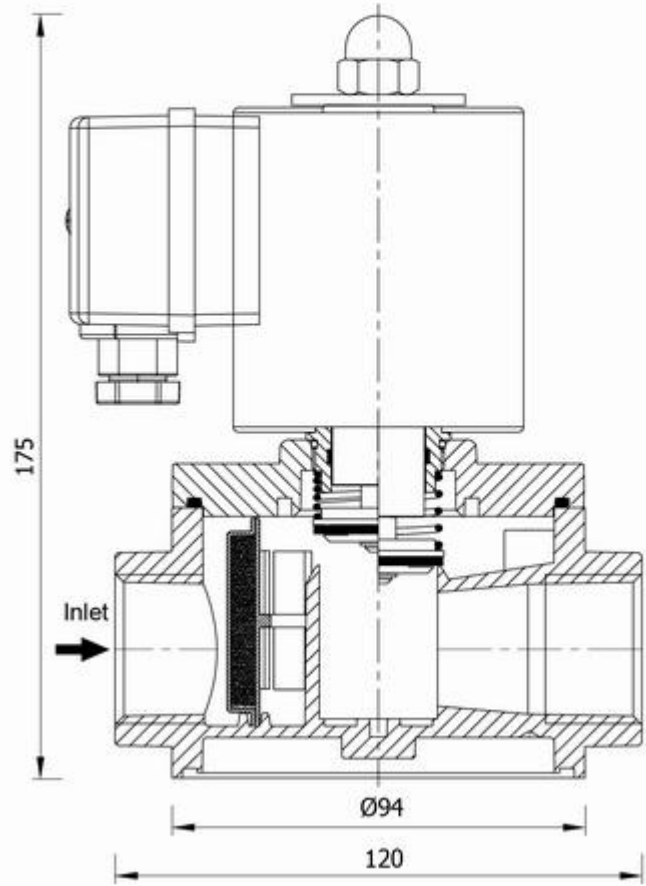
Top view (This is a schematic view)



**FAST OPENING SOLENOID VALVE**

**SET144/RQ**

P<sub>imax</sub>:360mbar/DN25



Normally closed automatic fast opening solenoid valve opens the flow of gas when the coil is electrically powered and closes when it off. It can be controlled by thermostats, switches, etc.

**Specifications:**

ISIRI 6800 certification according to EN 161 – EN 13611

Sealing force classification: A

Temperature range: -20 C to 60 C

Gas type: NG, LPG, Town gas, AIR

Supply voltages: 230 V/50-60 Hz

Supply voltage tolerance: -15% ... +10%

Cable gland: PG09

No. cycles/hour: ~1000 (ON time 1s - OFF time 2.5s)

Energy saving: Yes

Maximum inlet pressure: 360 mbar

Weight: 0.9 Kg

Opening time: <1 S

Closing time: <1 S

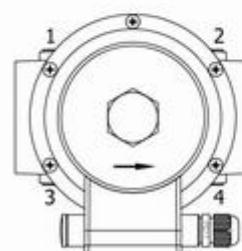
Protection rating: IP65

Connection: DN25 (Rp 1)

Thread According to ISO 7-1, EN 10226

Filtration element type: metal mesh according to ISIRI 6800

Example of ordering code	
Type	SET144
Fast opening(R) + adjustable flow(Q)	/RQ
Nominal size (Rp 1)	/DN25
Maximum inlet pressure (360 mbar)	/036
Supply voltages	/230
Status when off (Normally Closed)	/NC
Ordering code	SET144/RQ/DN25/036/230/NC



**Pressure Measuring Spots**

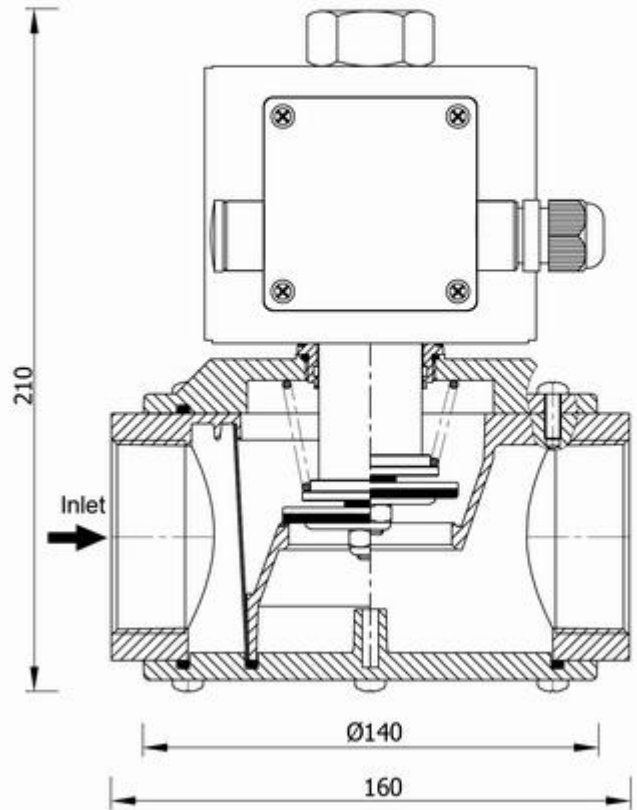
Use Caps (G1/4) to Measure Pressure in Pos. 1&3.

Top view(This is a schematic view)

**FAST OPENING SOLENOID VALVE**

**SET144/RQ**

P<sub>imax</sub>:360mbar/DN40,50



Normally closed automatic fast opening solenoid valve opens the flow of gas when the coil is electrically powered and closes when it off. It can be controlled by thermostats, switches, etc. In addition, you can control it by CPI switches.

In order to convert it into a flanged regulator, two Integrated Flanges SET950X should also be ordered

Specifications:

ISIRI 6800 certification according to EN 161 – EN 13611

Sealing force classification: A

Temperature range: -20 C to 60 C

Gas type: NG, LPG, Town gas, AIR

Supply voltages: 230 V/50-60 Hz

Supply voltage tolerance: -15% ... +10%

Cable gland: PG11

No. cycles/hour: ~195 (ON time 5s - OFF time 13.5s)

Energy saving: Yes

Maximum inlet pressure: 360 mbar

Weight: 5.6 kg

Opening time: <1 S

Closing time: <1 S

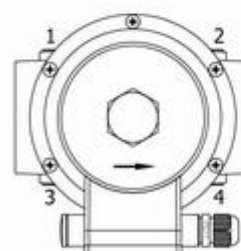
Protection rating: IP65

Connection: DN40 (Rp 1 1/2), DN50 (Rp 2)

Thread According to ISO 7-1, EN 10226

Filtration element type: metal mesh according to ISIRI 6800

Example of ordering code	
Type	SET144
Fast opening(R) + adjustable flow(Q)	/RQ
Nominal size (Rp 2)	/DN50
Maximum inlet pressure (360 mbar)	/036
Supply voltages	/230
Status when off (Normally Closed)	/NC
Ordering code	SET144/RQ/DN50/036/230/NC



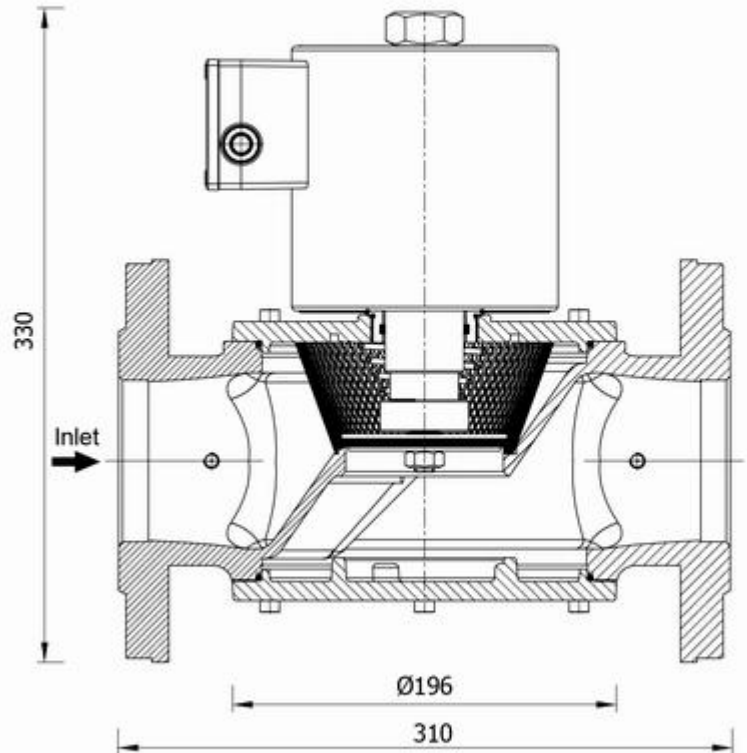
**Pressure Measuring Spots**  
Use Caps (G1/4) to Measure Pressure in All Positions.

Top view(This is a schematic view)

**FAST OPENING SOLENOID VALVE**

**SET144/RQ**

P<sub>imax</sub>:360mbar/DN65,80



Normally closed automatic slow opening solenoid valve opens the flow of gas when the coil is electrically powered and closes when it offs. It can be controlled by thermostats, switches, etc. In addition, you can control it by CPI switches.

Specifications:

ISIRI 6800 certification according to EN 161 – EN 13611

Sealing force classification: A

Temperature range: -20 C to 60 C

Gas type: NG, LPG, Town gas, AIR

Supply voltages: 230 V/50-60 Hz

Supply voltage tolerance: -15% ... +10%

Cable gland: PG 11

No. cycles/hour: ~195 (ON time 5s - OFF time 13.5s)

Energy saving: YES

Max. Inlet pressure: 360 mbar

Weight: DN65: 13.7Kg DN80:14.2Kg

Opening time: <1 S

Closing time: <1 S

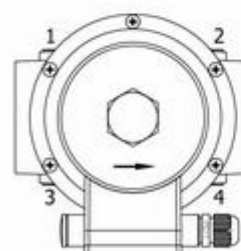
Protection rating: IP65

Connection: DN65, DN80

Flange According to ISO 7005, DIN 1092-4

Filtration element type: metal mesh according to ISIRI 6800

Example of ordering code	
Type	SET144
Fast opening(R) + adjustable flow(Q)	/RQ
Nominal size (DN80)	/DN80
Maximum inlet pressure (360 mbar)	/036
Supply voltages	/230
Status when off (Normally Closed)	/NC
Ordering code	SET144/RQ/DN80/036/230/NC



**Pressure Measuring Spots**  
Use Caps (G1/4) to Measure Pressure in All Positions.

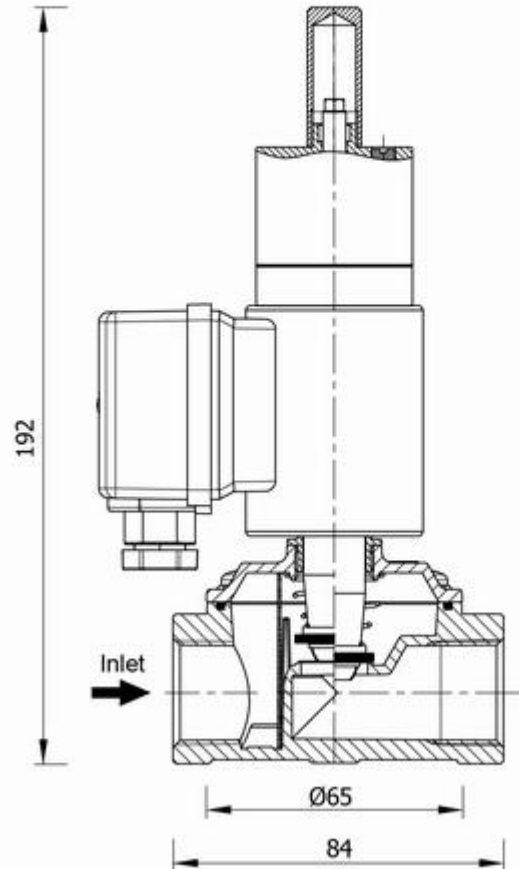
Top view(This is a schematic view)



**SLOW OPENING SOLENOID VALVE**

**SET144/SQ**

P<sub>imax</sub>:360mbar/DN15,20



Normally closed automatic slow opening solenoid valve opens the flow of gas when the coil is electrically powered and closes when it off. It can be controlled by thermostats, switches, etc.

**Specifications:**

ISIRI 6800 certification according to EN 161 – EN 13611

Sealing force classification: A

Temperature range: -20 C to 60 C

Gas type: NG, LPG, Town gas, AIR

Supply voltages: 230 V/50-60 Hz

Supply voltage tolerance: -15% ... +10%

Cable gland: PG 09

No. cycles/hour: ~100 (ON time 10s - OFF time 25s)

Energy saving: YES

Max. Inlet pressure: 360 mbar

Weight: 0.85 kg

Opening time adjustment: between 0.5 and 30 seconds ± 20% (t<sub>a</sub>= 25 °C - V=V<sub>n</sub>)

Closing time: <1 S

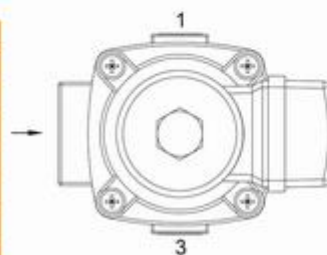
Protection rating: IP54

Thread connection: DN15 (Rp 1/2), DN20 (Rp 3/4)

Thread According to ISO 7-1, EN 10226

Filtration element type: metal mesh according to ISIRI 6800

Example of ordering code	
Type	SET144
Fast opening(S) + adjustable flow(Q)	/SQ
Nominal size (Rp 1/2)	/DN15
Maximum inlet pressure (360 mbar)	/036
Supply voltages	/230
Status when off (Normally Closed)	/NC
Ordering code	SET144/SQ/DN15/036/230/NC



**Pressure Measuring Spots**  
Use Caps (G1/4) to Measure Pressure.

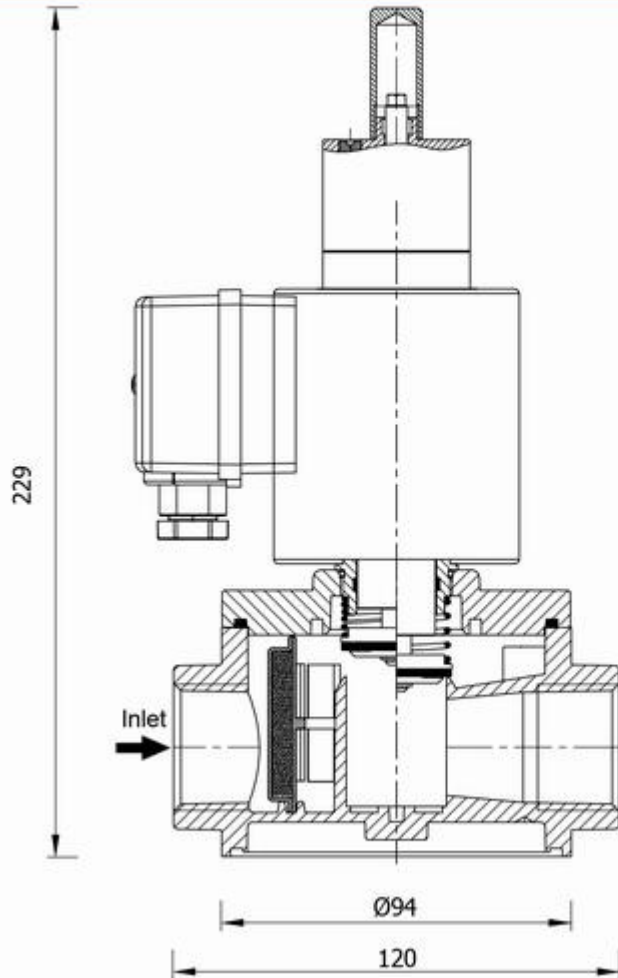
Top view(This is a schematic view)



**SLOW OPENING SOLENOID VALVE**

**SET144/SQ**

P<sub>imax</sub>:360mbar/DN25



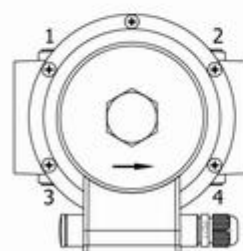
Normally closed automatic slow opening solenoid valve opens the flow of gas when the coil is electrically powered and closes when it off. It can be controlled by thermostats, switches, etc. In addition, you can control it by CPI switches.

Specifications:

- ISIRI 6800 certification according to EN 161 – EN 13611
- Sealing force classification: A
- Temperature range: -20 C to 60 C
- Gas type: NG, LPG, Town gas, AIR
- Supply voltages: 230 V/50-60 Hz
- Supply voltage tolerance: -15% ... +10%
- Cable gland: PG 09

- No. cycles/hour: ~100 (ON time 10s - OFF time 25s)
- Energy saving: YES
- Max. Inlet pressure: 360 mbar
- Weight: 0.9Kg
- Opening time adjustment: between 0.5 and 30 seconds ± 20% (ta= 25 °C - V=Vn)
- Closing time: <1 S
- Protection rating: IP65
- Thread connection: DN25 (Rp 1)
- Thread According to ISO 7-1, EN 10226
- Filtration element type: metal mesh according to ISIRI 6800

Example of ordering code	
Type	SET144
Fast opening(R) + adjustable flow(Q)	/SQ
Nominal size (Rp 1)	/DN25
Maximum inlet pressure (360 mbar)	/036
Supply voltages	/230
Status when off (Normally Closed)	/NC
Ordering code	SET144/SQ/DN25/036/230/NC



**Pressure Measuring Spots**  
Use Caps (G1/4) to Measure Pressure in Pos. 1&3.

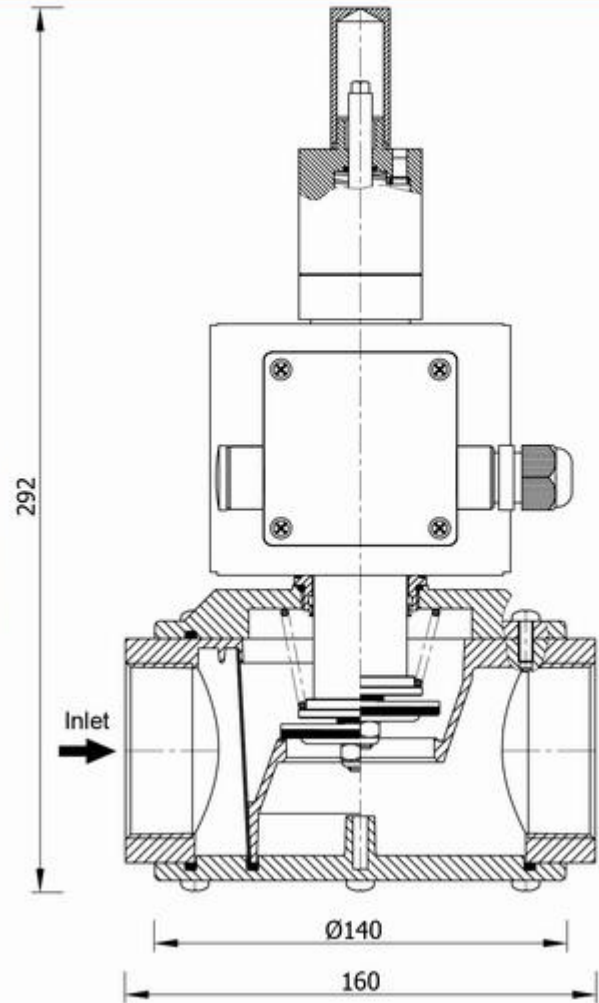
Top view(This is a schematic view)



**SLOW OPENING SOLENOID VALVE**

**SET144/SQ**

P<sub>1max</sub>:360mbar/DN40,50



Normally closed automatic slow opening solenoid valve opens the flow of gas when the coil is electrically powered and closes when it off. It can be controlled by thermostats, switches, etc. In addition, you can control it by CPI switches.

In order to convert it into a flanged regulator, two Integrated Flanges SET950X should also be ordered

Specifications:

ISIRI 6800 certification according to EN 161 – EN 13611

Sealing force classification: A

Temperature range: -20 C to 60 C

Gas type: NG, LPG, Town gas, AIR

Supply voltages: 230 V/50-60 Hz

Supply voltage tolerance: -15% ... +10%

Cable gland: PG 11

No. cycles/hour: ~90 (ON time 10s - OFF time 30s)

Energy saving:Yes

Max. Inlet pressure: 360 mbar

Weight: 5.8 kg

Opening time adjustment: between 0.5 and 30 seconds

Closing time: <1 S

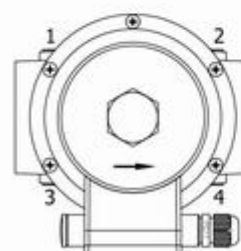
Protection rating: IP65

Connection: DN40 (Rp 1 1/2), DN50 (Rp 2)

Thread According to ISO 7-1, EN 10226

Filtration element type: metal mesh according to ISIRI 6800

Example of ordering code	
Type	SET144
Fast opening(R) + adjustable flow(Q)	/SQ
Nominal size (Rp 2)	/DN50
Maximum inlet pressure (360 mbar)	/036
Supply voltages	/230
Status when off (Normally Closed)	/NC
Ordering code	SET144/SQ/DN50/036/230/NC



**Pressure Measuring Spots**  
Use Caps (G1/4) to Measure Pressure in All Positions.

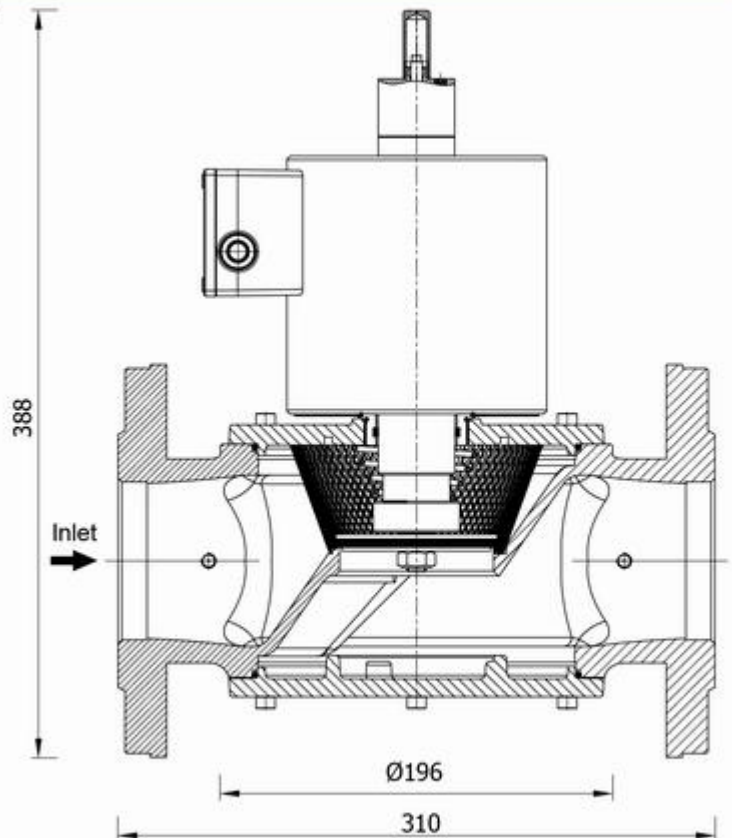
Top view(This is a schematic view)



**SLOW OPENING SOLENOID VALVE**

**SET144/SQ**

P<sub>imax</sub>:360mbar/DN65,80



Normally closed automatic slow opening solenoid valve opens the flow of gas when the coil is electrically powered and closes when it off. It can be controlled by thermostats, switches, etc. In addition, you can control it by CPI switches.

Specifications:

ISIRI 6800 certification according to EN 161 – EN 13611

Sealing force classification: A

Temperature range: -20 C to 60 C

Gas type: NG, LPG, Town gas, AIR

Supply voltages: 230 V/50-60 Hz

Supply voltage tolerance: -15% ... +10%

Cable gland: PG 11

No. cycles/hour: ~90 (ON time 10s - OFF time 30s)

Energy saving: Yes

Max. Inlet pressure: 360 mbar

Weight: DN65: 14Kg DN80:14.5Kg

Opening time adjustment: between 0.5 and 30 seconds

Closing time: <1 S

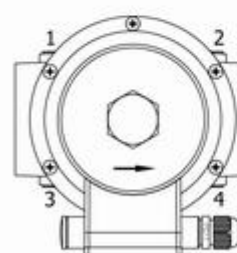
Protection rating: IP65

Connection: DN65, DN80

Flange According to ISO 7005, DIN 1092-4

Filtration element type: metal mesh according to ISIRI 6800

Example of ordering code	
Type	SET144
Fast opening(R) + adjustable flow(Q)	/SQ
Nominal size	/DN80
Maximum inlet pressure (360 mbar)	/036
Supply voltages	/230
Status when off (Normally Closed)	/NC
Ordering code	SET144/SQ/DN80/036/230/NC



**Pressure Measuring Spots**  
Use Caps (G1/4) to Measure Pressure in All Positions.

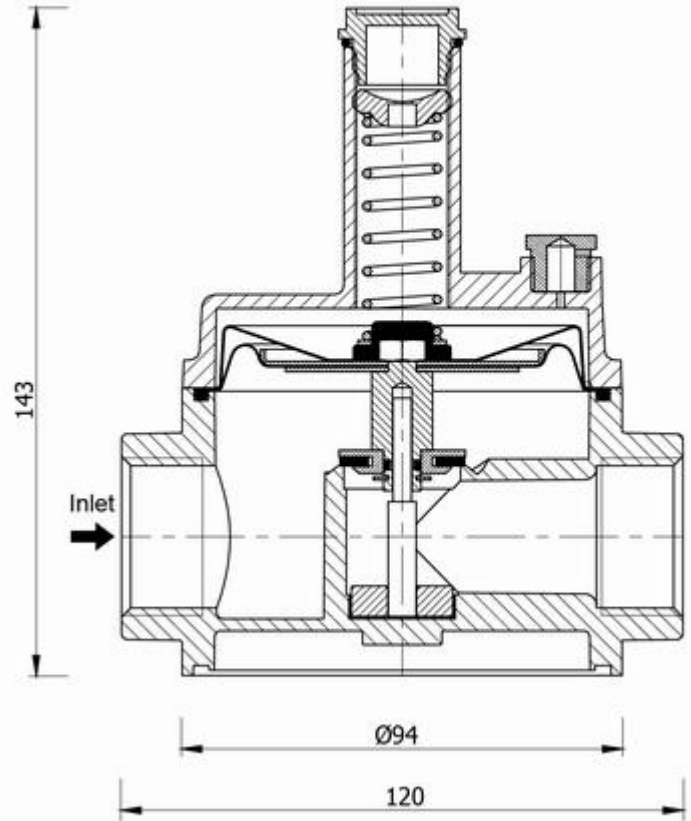
Top view(This is a schematic view)



**RELIEF VALVE**

**SET150**

P<sub>max</sub>:500mbar/DN25



Low Pressure Relief Valve SET150 opens when the pressure exceeds the allowable pressure and discharges pressure peaks outside into the air. It is necessary to use it if the gas speed is more than 30 m/s.

**Specifications:**

- INSO 22107 certification
- Performance in accordance with WI-016
- Temperature range: -15 C to 60 C
- Weight: 0.66 kg
- Gas type: NG, LPG, Town gas, AIR
- Connection: DN25 (Rp 1)
- Thread According to ISO 7-1, EN 10226
- Max. inlet pressure: 500 mbar

Example of ordering code	
Type	SET150
Nominal size (Rp 1)	/DN25
Outlet pressure (50-450 mbar)	/50450
Ordering code	SET150/DN25/50450

Spring code	Color	P(mbar)
SR10 /17x66/100	Red	18 – 40
SB13 /17x66/110	Blue	38 – 90
SY20 /17x54/90	Yellow	50 - 450

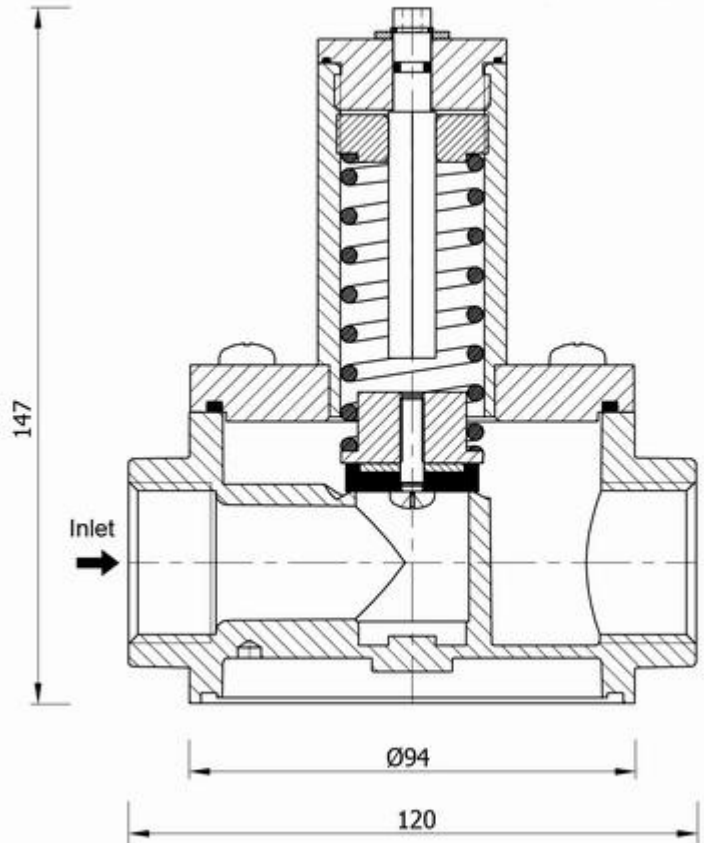


**RELIEF VALVE**

شیر اطمینان

**SET151**

P<sub>max</sub>:5bar/DN25



High pressure relief valve SET151 opens when the pressure exceeds the allowable pressure and discharges pressure peaks outside into the air. This valve closes immediately as the pressure drops to under the set pressure.

**Specifications:**

- INSO 22107 certification
- Performance in accordance with WI-016
- Temperature range: -15 C to 60 C
- Weight: 0.85 kg
- Gas type: NG, LPG, Town gas, AIR
- Connection: DN25 (Rp 1)
- Thread According to ISO 7-1, EN 10226
- Max. inlet pressure: 500 mbar

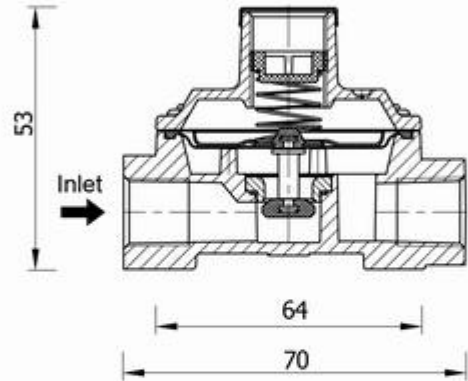
Example of ordering code	
Type	SET151
Nominal size (Rp 1)	/DN25
Outlet pressure (0.3-5 bar)	/035
Ordering code	SET151/DN25/035



REGULATOR

SET201

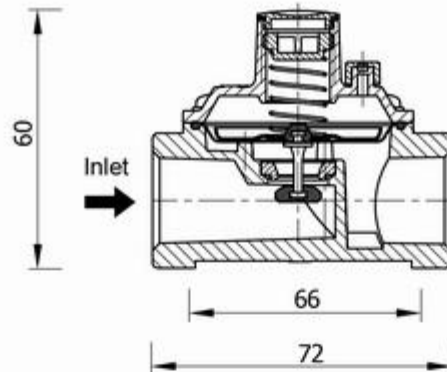
P<sub>max</sub>:170mbar/DN15



Example of ordering code	
Type	SET201
Nominal size (Rp 1/2)	/DN15
Maximum inlet pressure (170 mbar)	/017
Supply voltages	/2030
PTN spot(pos. 4)	/T4
Ordering code	SET201/DN15/017/2030/T4

SET203

P<sub>max</sub>:170mbar/DN20



Example of ordering code	
Type	SET203
Nominal size (Rp 1/2)	/DN20
Maximum inlet pressure (170 mbar)	/017
Supply voltages	/2030
PTN spot(pos. 4)	/T4
Ordering code	SET203/DN20/017/2030/T4

Gas pressure closing regulator SET201,203 with inlet pressure up to 250 mbar use for low capacities. Due to its limited qualified outlet pressure range, it is usable for small consumers such as pilot light.

Specifications:

INSO 6027-1 certification according to EN 88-1

Classification: Class A, Group 2

Temperature range: -15 C to 60 C

Gas type: NG, LPG, Town gas, AIR

Connection: DN15(Rp1/2), DN20(Rp3/4), DN25(Rp 1)

Thread According to ISO 7-1, EN 10226

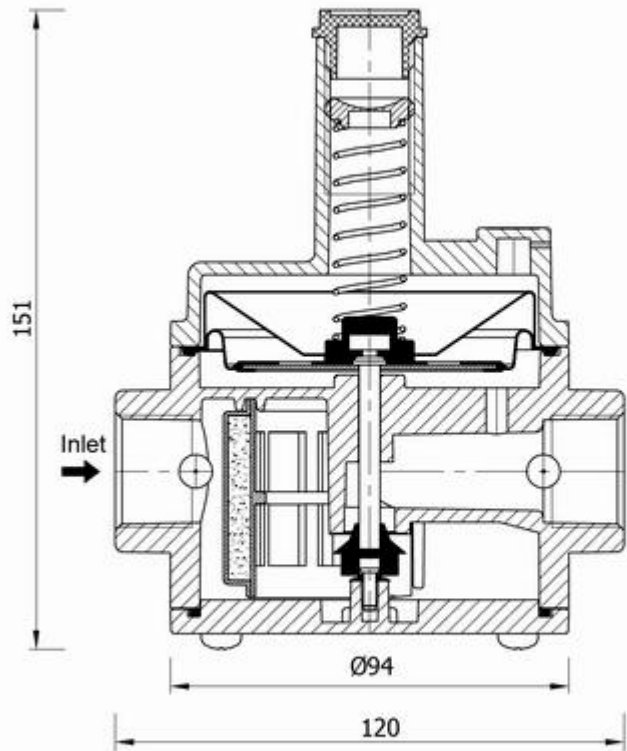
Max. Inlet pressure: 170 mbar

Weight: SET201, 0.2 kg SET230, 0.26 kg

REGULATOR

SET245

P<sub>1max</sub>: 500mbar/DN15,20,25



Gas pressure closing regulator SET245 and regulator with built-in filter SET245/F are designed for inlet pressure up to 500mbar and use for low capacities. Check the Capacity diagram before use.

Specifications:

INSO 6027-1 certification according to EN 88-1

Classification: Class A, Group 2

Temperature range: -15-C to 60-C

Gas type: NG, LPG, Town gas, AIR

Connection: DN15(Rp1/2),DN20(Rp3/4),DN25(Rp 1)

Thread according to ISO 7-1, EN 10226

Max. inlet pressure: 500 mbar

Weight: 0.7 kg

Regulators with built-in filter SET245/F:

Filtration: 50 µm (on request other filtration qualities)

Filtration area: 4400 mm<sup>2</sup>

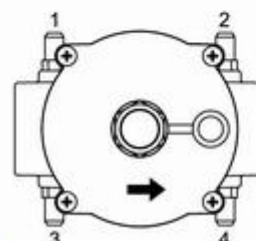
Filter dusting: according to EN 779

Classification of Filter: M5 (According to EN779-2012)

Spring Selection Table

Spring code	Color	P <sub>1</sub> (mbar)					P <sub>2</sub> (mbar)
		0-100	100-200	200-300	300-400	400-500	
SR10 /17x66/100	Red	14-30	16-60				
SB13 /17x66/110	Blue	20-60	20-60	16-60	16-60	16-60	
SY20 /17x54/90	Yellow			60-80	60-200	60-200	

Example of ordering code	
Type	SET245
With filter	/F
Nominal size (Rp 3/4)	/DN20
Maximum inlet pressure (500 mbar)	/05
Outlet pressure (16-60 mbar)	/1660
PTN spot (pos. 3&4)	/T34
Ordering code	SET245/F/DN20/05/1660/T34



Pressure Tapping Nipples  
Pos.4 factory option.

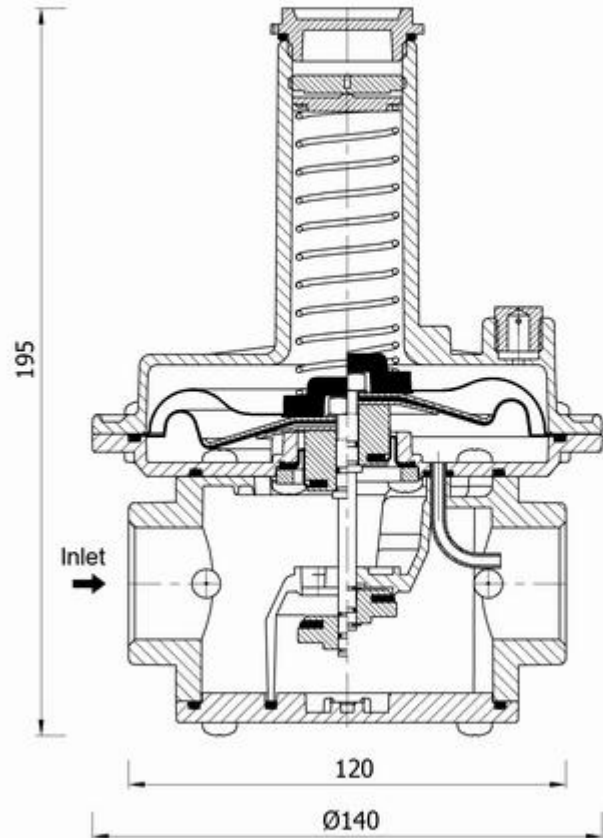
Top View (This is a schematic view)



REGULATOR

SET250

P1max:2bar/DN25



Gas pressure closing regulator SET250 has upper capacity and better quality compared to SET245 and with inlet pressure up to 500mbar, 0.5-1bar and 1-2bar. In order to convert it into a flanged regulator, two Rotating Flanges SET950X should also be ordered

Specifications:

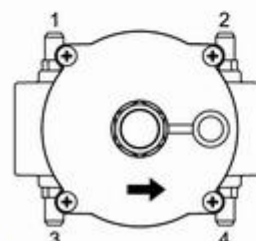
INSO 6027-1 certification according to EN 88-1  
 Classification: Class A, Group 2 (P1=0-500mbar)  
 Classification: Accuracy class AC20, Closing pressure class SG30, Group 2 (P1=0.5-2mbar)

Temperature range: -15 C to 60 C  
 Gas type: NG, LPG, Town gas, AIR  
 Connection: DN15(Rp1/2), DN20(Rp3/4), DN25(Rp 1)  
 Weight: 1.15 kg  
 Thread According to ISO 7-1, EN 10226  
 Operating pressure range:  
 1: up to 500 mbar  
 2: 0.5-1 bar  
 3: 1-2 bar

Spring Selection Table

Spring code	Color	P1(bar)			P2(mbar)
		0-0.5 bar	0.5-1 bar	1-2 bar	
SYD15/29x85/120	Yellow-black	8 - 20	11 - 28	21 - 38	
SYR16/29x115/105	Yellow-red	16 - 45	20 - 48	33 - 55	
SYG22/29x100/115	Yellow-green	45 - 122	48 - 130	60 - 140	
SYB25/29x140/170	Yellow-blue	125 - 180	130 - 190	140 - 200	

Example of ordering code	
Type	SET250
Nominal size (Rp 3/4)	/DN25
Max. Inlet pressure (500 mbar)	/05
Outlet pressure (16-45 mbar)	/1645
PTN spot (pos. 4)	/T4
Ordering code	SET250/DN25/05/1645/T4

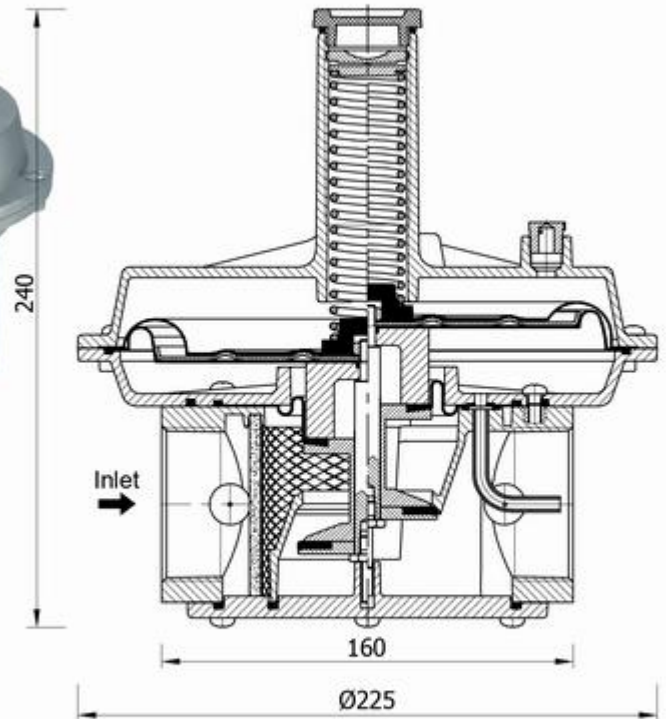


Pressure Tapping Nipples  
 Pos.4 factory option  
 Top View (This is a schematic view)

REGULATOR

SET252

P<sub>1max</sub>: 2bar/DN40,50



Gas Pressure Closing Regulator SET252 and filter regulator SET252/F with inlet pressure up to 500mbar, 0.5-1bar and 1-2bar. In order to convert it into a flanged regulator, two Integrated Flanges SET952 should also be ordered.

Specifications:

INSO 6027-1 certification according to EN 88-1  
 Classification: Class A, Group 2 (P<sub>1</sub>=0-500mbar)  
 Classification: Accuracy class AC20, Closing pressure class SG30, Group 2 (P<sub>1</sub>=0.5-2 bar)  
 Temperature range: -15 C to 60 C  
 Gas type: NG, LPG, Town gas, AIR  
 Connections: DN40 (Rp 11/2), DN50 (Rp 2)  
 Thread According to ISO 7-1, EN 10226

Operating pressure range:

- 1: up to 500 mbar
- 2: 0.5-1 bar
- 3: 1-2 bar

Regulators with built-in filter SET252/F:

Filtration: 50 µm (on request other filtration qualities)  
 Filtration area: 15600 mm<sup>2</sup>  
 Filter dusting: according to EN 779  
 Weight: 3.4 kg

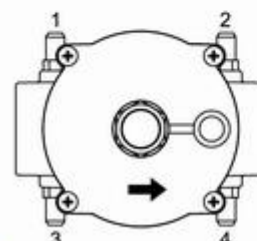
In the order code for:

- Inlet pressure up to 500 bar code 05
- Inlet pressure 0.5-1 bar code 1
- Inlet pressure up to 1-2 bar code 2

Spring Selection Table

Spring code	Color	P <sub>1</sub> (bar)			P <sub>2</sub> (mbar)
		0.5	0.5 - 1	1 - 2	
SO16/29x115/140	Orange	8 - 13	-	-	
SB20/29x140/160	Blue		13 - 20		
SG20/29x140/130	Green		15 - 25		
SR22/29x140/135	Red		25 - 43		
SD25/29x150/140	Black		43 - 70		
SY25/29x150/180	Yellow		33 - 58		
SS30/29x140/180	Silver		55 - 110		
SW35/29x125/140	White		90 - 200		

Example of ordering code	
Type	SET252
With filter	/F
Nominal size (Rp 2)	/DN50
Max. Inlet pressure (500 mbar)	/05
Outlet pressure (33-58 mbar)	/3358
PTN spot (pos. 4)	/T4
Ordering code	SET252/F/DN50/05/3358/T4



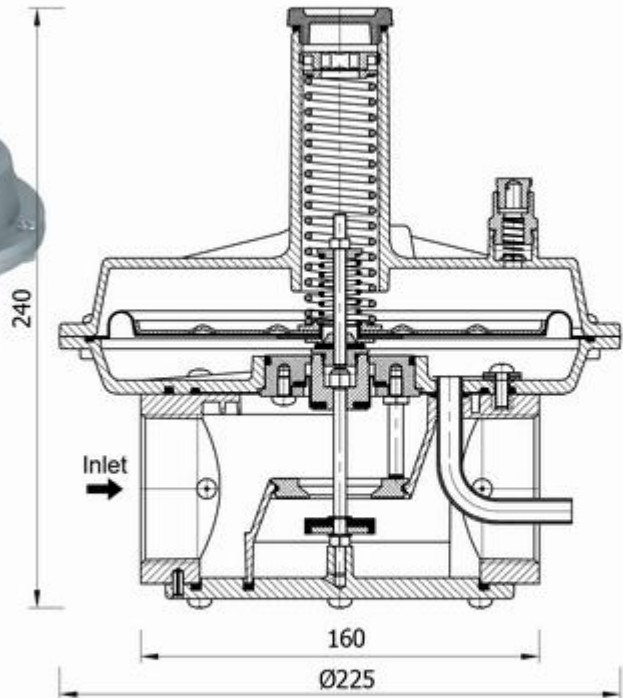
Pressure Tapping Nipples  
 Pos.4 factory option  
 Top View (This is a schematic view)



**REGULATOR**

**SET252H**

P1max:5bar/DN40,50



Gas Pressure Regulator SET252H with inlet pressure up to 6bar. An inner relief valve flows gas outwards if overpressure occurs downstream of the regulator. This regulator provides preset and uniform outlet pressure from low to high capacities. In order to convert it into a flanged regulator, two Integrated Flanges SET952 should also be ordered.

**Specifications:**

In accordance with EN 88-1

Classification: Accuracy class AC20, Closing

pressure class SG30, Group 2

Temperature range: -15 C to 60 C

Gas type: NG, LPG, Town gas, AIR

Connections: DN40 (Rp 1 1/2), DN50 (Rp 2)

Weight: 3.5 kg

Thread According to ISO 7-1, EN 10226

Breathing hole connection: G 1/4

Operating pressure range: 0.5 – 5 bar

Safety factor: f-4 ( 5×4=20 bar In accordance with INSO 22107)

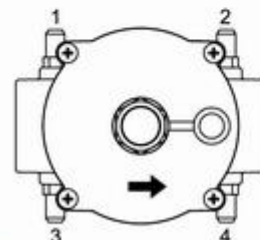
**Spring Selection Table**

Spring color	P <sub>2</sub> (mbar)	Color	Spring code	DfWau (mbar)	Color
SO13/17x40/60	10 - 22	Yellow-Green	SYG22/29X100/120	10 - 20	Orange
SB18/18,4x45/85	17 - 32	Brown-Red	SBR22/29X140/180	15 - 40	Blue
SB18/18,4x45/85	32 - 60	Brown-Yellow	SBY25/29X155/160	15 - 40	Blue
SR20/17x54/90	50 - 95	Brown-Blue	SBY32/29X123/155	40 - 80	Yellow
SR20/17x54/90	85 - 180	White	SW35/29X125/140	40 - 80	Yellow
SR25/18x50/85	150 - 350*	Colorless	SC45/29X98/80	50 - 120	Red
SR25/18x50/85	300 - 500*	Brown-Black	SBD45/29,4X95/90	50 - 120	Red
SR25/18x50/85	500 - 800*	Brown-Black	SBD45/29,4X95/90	50 - 120	Red

With reinforced diaphragm\*

The range of differential relief spring, proportional to the outlet pressure

Example of ordering code	
Type	SET252H
Nominal size (Rp 2)	/DN50
Max. Inlet pressure (0.5-5 bar)	/5
Outlet pressure (85-180 mbar)	/85150
PTN spot (pos. 4)	/T4
Ordering code	SET252H/DN50/5/85150/T4



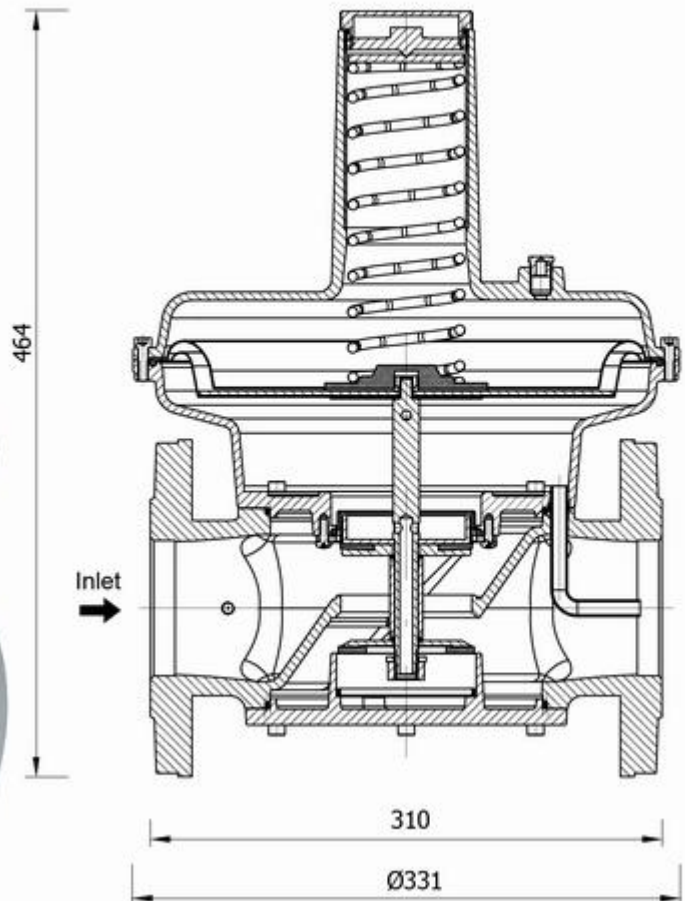
**Pressure Tapping Nipples**  
Pos.4 factory option

Top View (This is a schematic view)

REGULATOR

SET251

P1max: 500mbar/DN65, DN80



Gas pressure regulator SET251 made for inlet pressure up to 500 mbar. This regulator provides preset and uniform outlet pressure from low to high capacities.

Specifications:

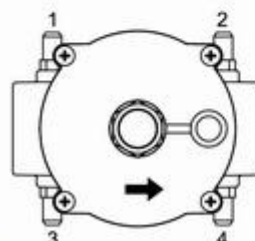
INSO 6027-1 certification according to EN 88-1  
 Classification: Class A, Group 2 (P1=0-500 mbar)  
 Temperature range: -15 C to 60 C  
 Gas type: NG, LPG, Town gas, AIR  
 DN-Nominal size: DN80  
 According to ISO 7-1, EN 10226

Max. Inlet pressure: 0.5 bar  
 Gas type: NG, LPG, Town gas, AIR  
 Connection: DN40 (Rp 1 1/2), DN50 (Rp 2)  
 Weight: 13.7 kg  
 Thread According to ISO 7-1, EN 10226  
 Breathing hole connection: G 1/4  
 Operating pressure range: 0.5 – 5 bar  
 Safety factor: f-4 ( 5×4=20 bar In accordance with INSO 22107)

Spring Selection Table

Spring code	Color	P <sub>2</sub> (mbar)
SG40/66.5x155/160	Green	10-18
SD45/70x200/145	Black	13-30
SR50/70x200/135	Red	20-50
SY60/70x217/105	Yellow	50-130

Example of ordering code	
Type	SET251
Nominal size (Rp 3)	/DN80
Max. Inlet pressure (500mbar)	/05
Outlet pressure (50-130 mbar)	/50130
PTN spot (All positions.)	/TT
Ordering code	SET251/DN80/05/50130/TT



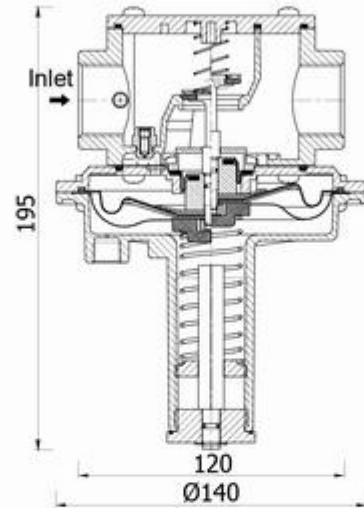
**Pressure Tapping Nipples**  
 All positions available.  
 Top View (This is a schematic view)



**GAS/AIR RATIO CONTROL**

**SET282**

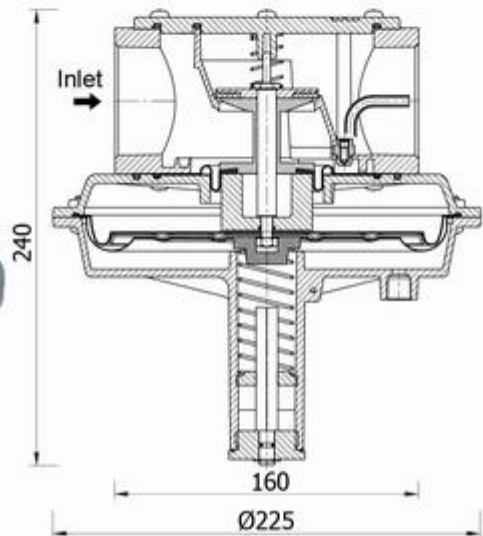
P1max:500mbar/DN25



**GAS/AIR RATIO CONTROL**

**SET285**

P1max:500mbar/DN40, DN50



Gas/Air Ratio Control SET282, 285 can be used as:

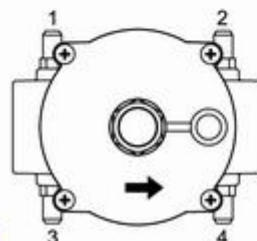
- 1- Zero regulator, keeps the downstream pressure uniform from low to high capacities.
- 2- Air/gas ratio Control, keeps the air/gas ratio constant even when changing the air pressure. Choosing the suitable control and its installation depends on pressure ratio. There are three main pressure ratio:
  - Gas/Air pressure in a ratio of 1:1
  - Gas/Air pressure from 1:2 ratio to 1:10 ratio
  - Gas/Air pressure from 2:1 ratio to 10:1 ratio

In order to convert it into a flanged regulator, two Integrated Flanges SET952 or SET950X should also be ordered.

**Specifications:**

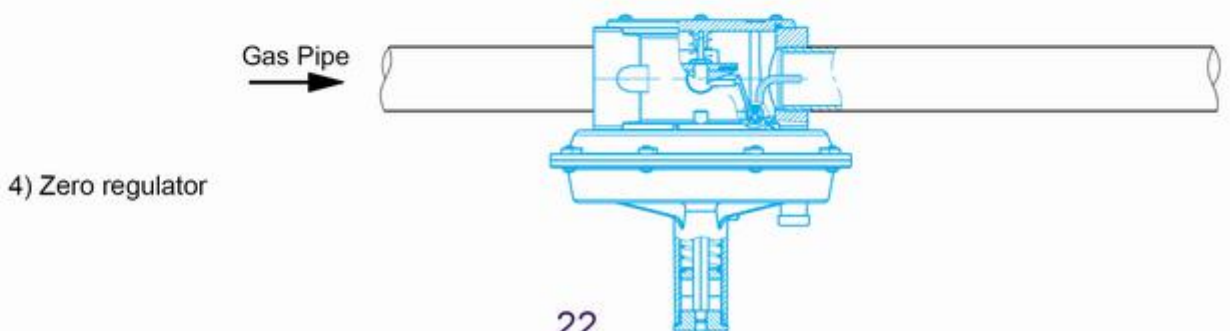
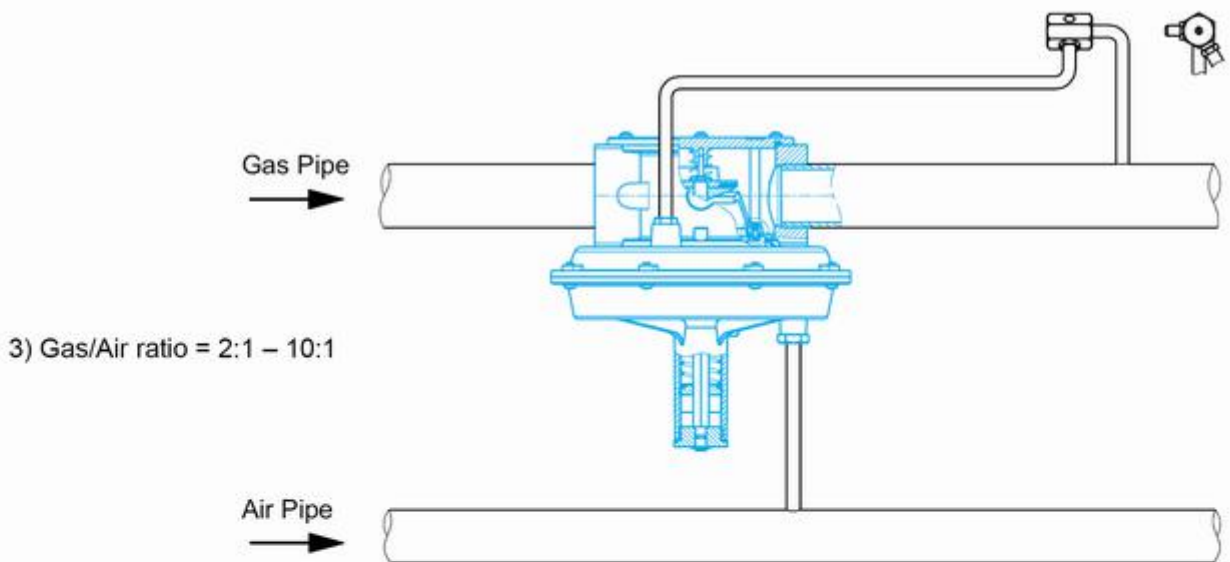
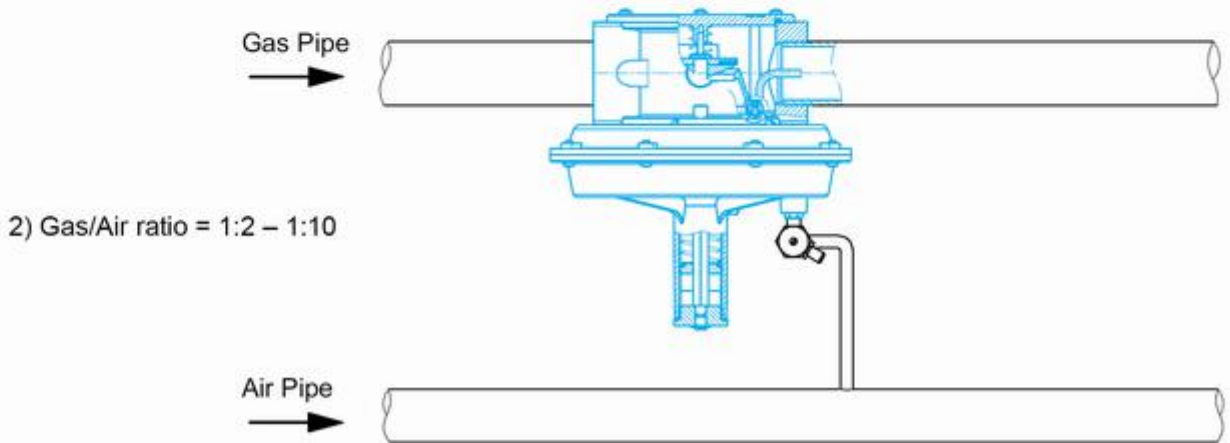
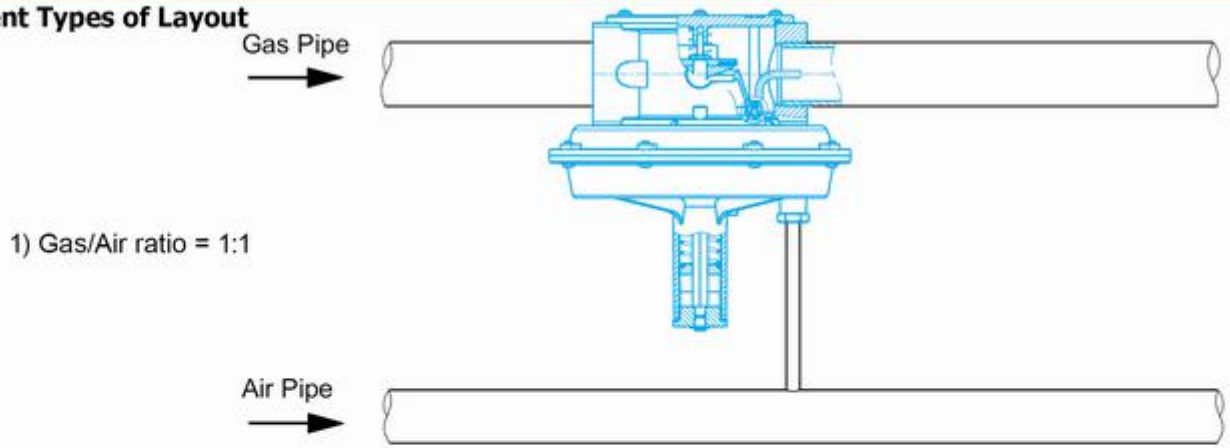
INSO 6027 certification according to EN 88-1  
 Classification: Class A, Group 2 (P1=0-500mbar)  
 Temperature range: -15 C to 60 C  
 Gas type: NG, LPG, Town gas, AIR  
 Connections:  
 SET282/DN15 (Rp1/2), SET282/DN20 (Rp 3/4), SET282/DN25 (Rp 1)  
 SET285/DN40 (Rp 1 1/2), SET285/DN50 (Rp 2)  
 Weight: SET282, 1.2 kg SET285, 3.4 kg  
 Thread According to ISO 7-1, EN 10226  
 Max. Inlet pressure: 500 mbar  
 Outlet pressure range: 2-120 mbar

Example of ordering code	
Type	SET282
Nominal size (Rp 1)	/DN25
Gas/Air ratio(10:1)	/101
PTN spot (pos. 4)	/T4
Ordering code	SET282/DN25/101/T4



**Pressure Tapping Nipples**  
 pos.4 factory option  
 Top View (This is a schematic view)

Different Types of Layout

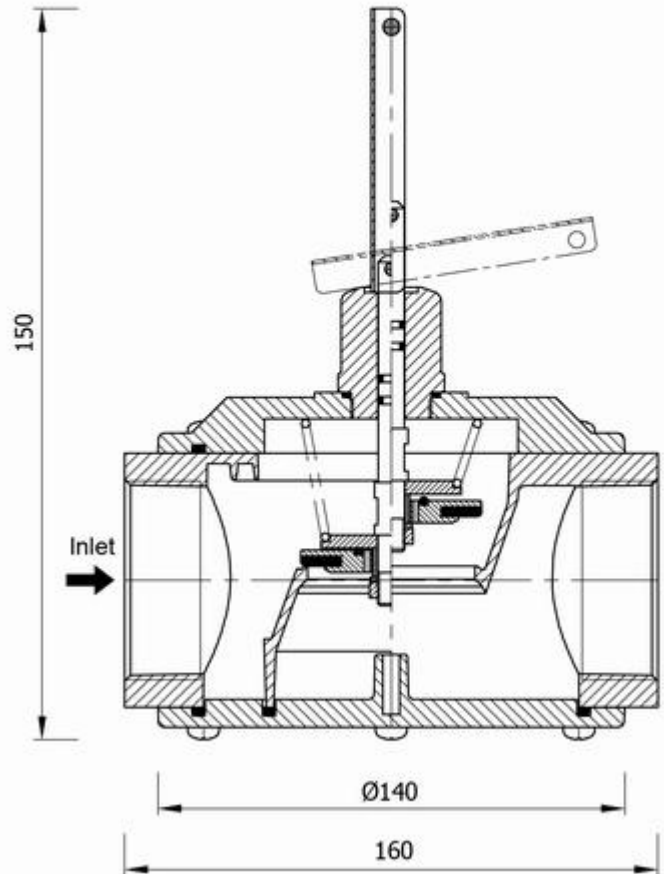




LEVER HAND VALVE

SET271

P1max: 5bar/DN40, DN50

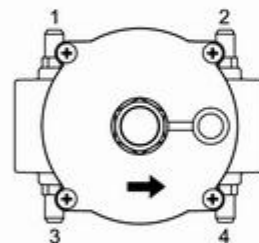


Lever Hand Valve allows to open or close the flow of the fluid inside the pipe manually. Due to its well-designed passage, it has a small load loss and the remote interception operation makes the closing easier and faster than traditional ball valves. For the remote actuation of the valve a special kit must be used. This valve can handle pressure up to 5bar. In order to convert it into a flanged valve, two Integrated Flanges SET952 should also be ordered.

Specifications:

- INSO 22107 certification
- Sealing force classification: A (according to ISIRI 6800)
- Temperature range: -15 C to 60 C
- Gas type: NG, LPG, Town gas, AIR
- Connections: DN40 (Rp 1 1/2), DN50 (Rp 2)
- Weight: 2 kg
- Thread According to ISO 7-1, EN 10226
- Max. Inlet pressure: 5bar

Example of ordering code	
Type	SET271
Nominal size (Rp 2)	/DN50
Maximum inlet pressure (5 bar)	/5
PTN spot (pos. 4)	/T4
Ordering code	SET271/DN50/5/T4



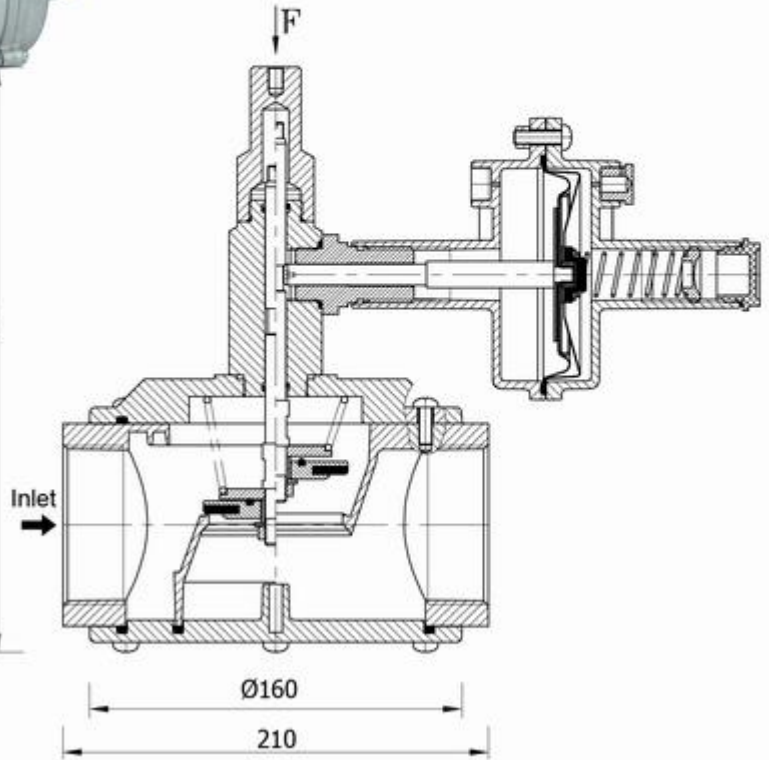
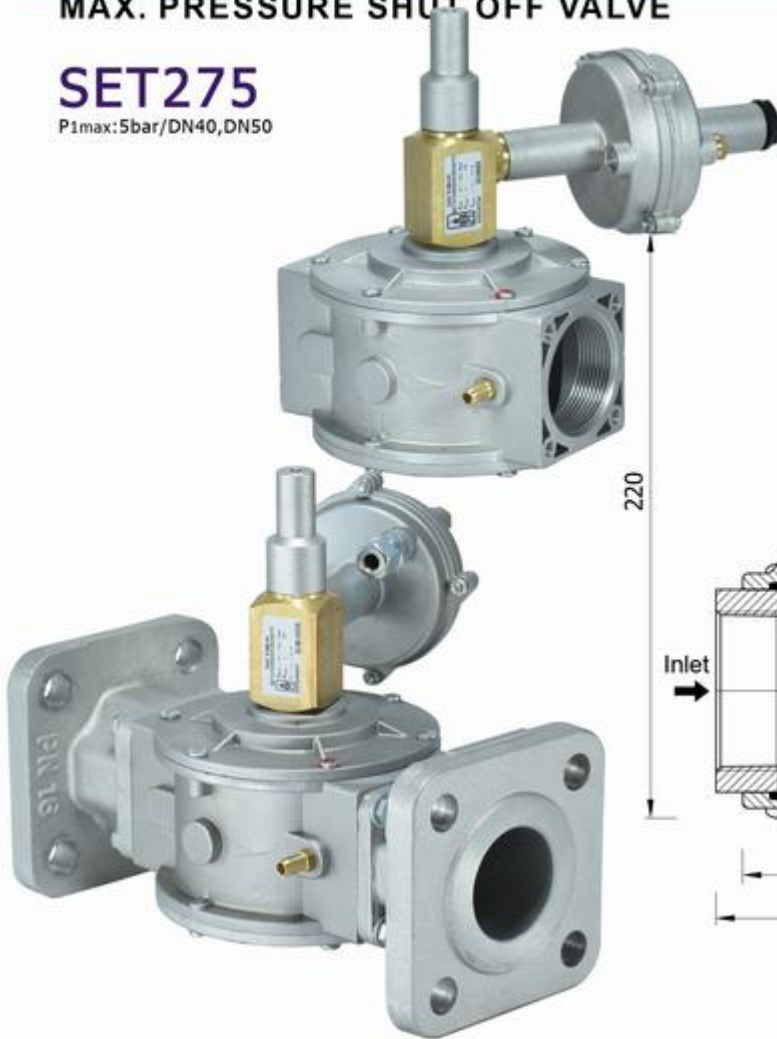
Pressure Tapping Nipples pos.4 factory option

Top View (This is a schematic view)

MAX. PRESSURE SHUT OFF VALVE

SET275

P1max:5bar/DN40,DN50



Max. Pressure Shut Off Valve shuts off gas flow upstream in order to make the entire system safe. When the pressure exceeds the set pressure, the valve closes automatically. The valve can only be opened manually and this must only be after solving the problem that caused the closure. In order to convert it into a flanged Shut Off Valve, two Integrated Flanges SET952 should also be ordered.

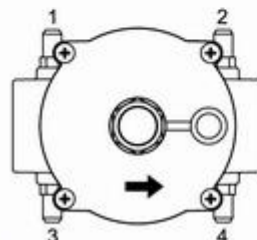
Specifications:

- INSO 22107 certification
- Sealing force classification: A (according to ISIRI 6800)
- Temperature range: -15 C to 60 C
- Gas type: NG, LPG, Town gas, AIR
- Connections: DN40 (Rp 1 1/2), DN50 (Rp 2)
- Thread According to ISO 7-1, EN 10226
- Weight: 3 kg
- Max. Inlet pressure: 5 bar
- Sensor hole connection: DN8 (G1/4)
- In accordance with DIN ISO 228

Spring For the Shut Off Setting

Spring code	color	P(mbar)
SY20/17x57/90	Yellow	30-250
SR25/18x50/80	Red	120-450
SC15/9x52/19+SR25/18x50/80	Colorless-Red	200-800

Example of ordering code	
Type	SET275
Nominal size (Rp 2)	/DN50
Max. Inlet pressure (5 bar)	/5
Outlet pressure (30-250 mbar)	/30250
PTN spot (pos. 4)	/T4
Ordering code	SET275/DN50/5/30250/T4



Pressure Tapping Nipples pos.4 factory option  
Top View (This is a schematic view)



FILTERS

Gas Filters are producing in different varieties including SET300, SET345, SET352, SET352X, and SET351 with inlet pressure up to 2 or 6 bar. The large filter element area in SETAAK filter reduces the pressure drop and achieve greater capacity

Specifications:

INSO 22107 certification according to EN 13611

Classification: Group 2

Temperature range: -15 C to 60 C

Gas type: NG, LPG, Town gas, AIR

Flanged connections in accordance with ISO 7005-PN16

Max. Operating pressure range:

1: up to 2 bar

2: 2-6 bar

Filter specifications

Material of filtration element: Synthetic washable fibers

Classification of filter: M5 (according to EN779-2012)

Average arrestance: 90-99%

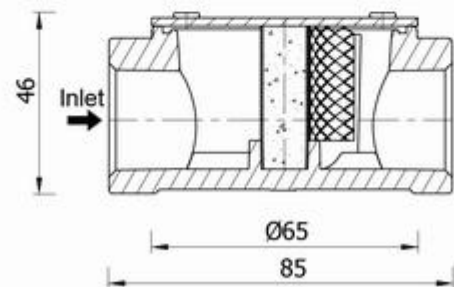
Filtration: 50 µm (on request other filtration qualities)

SET304

P1max: 2bar/DN20



Weight: 0.23 kg  
Connections: Rp3/4  
filter area: 1500 mm<sup>2</sup>

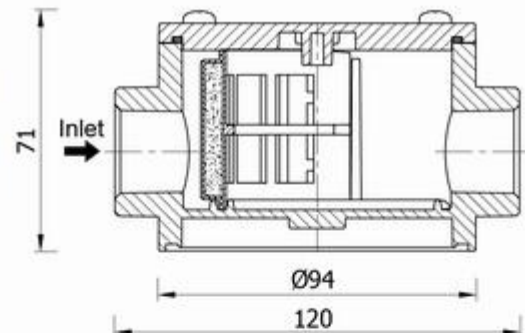


SET345

P1max: 2bar, 6bar/DN15, DN20, DN25



Weight: 0.44 kg  
Connections: Rp1/2, 3/4, 1  
filter area: 4400 mm<sup>2</sup>



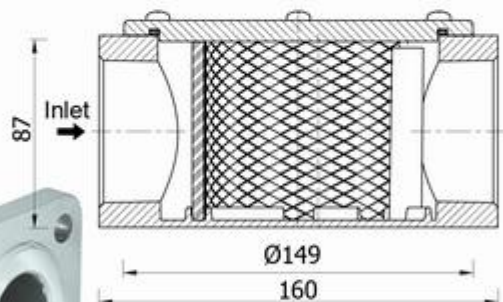
SET352

P1max: 2bar, 6bar/DN40, DN50



Weight: 1.2 kg  
Connections: Rp1 1/2, 2  
filter area: 18250 mm<sup>2</sup>

In order to convert it into a flanged Filter, two Integrated Flanges SET952 should also be ordered.

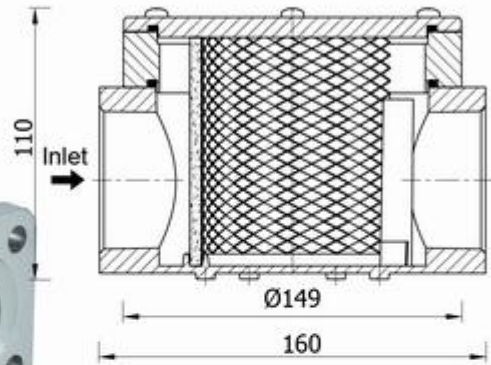


## SET352X

P<sub>1max</sub>: 2bar, 6bar / DN40, DN50



Weight: 1.7 kg  
 Connections: Rp1 1/2, 2  
 filter area: 22500 mm<sup>2</sup>  
 In order to convert it into a flanged Filter, two Integrated Flanges SET952 should also be ordered.

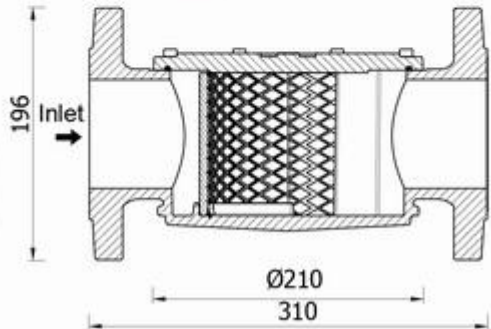


## SET351

P<sub>1max</sub>: 2bar, 6bar / DN65



Weight: 6.7 kg  
 Connection: PN 16  
 ISO 7005  
 DIN EN 1092-19  
 filter area: 37500 mm<sup>2</sup>

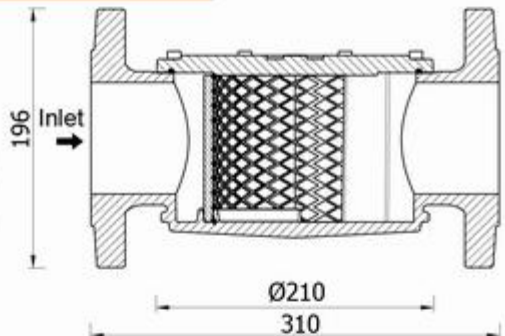


## SET351

P<sub>1max</sub>: 2bar, 6bar / DN80



Weight: 6.5 kg  
 Connections: PN 16  
 ISO 7005  
 DIN EN 1092-19  
 filter area: 37500 mm<sup>2</sup>

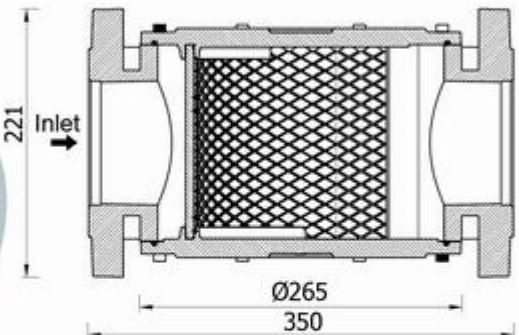


## SET351

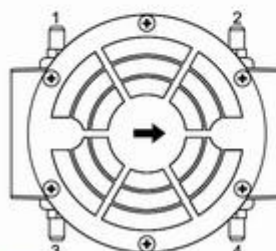
P<sub>1max</sub>: 2bar, 6bar / DN100



Weight: 10.8 kg  
 Connections: PN 16  
 ISO 7005  
 DIN EN 1092-19  
 filter area: 75000 mm<sup>2</sup>



Example of ordering code	
Type	SET352X
Nominal size (Rp 2)	/DN50
Maximum inlet pressure (6 bar)	/6
Max. spot (pos. 3&4)	/T34
Ordering code	SET352X/DN50/6/T34



**Pressure Tapping Nipples**  
 Up to DN50 without PTN.  
 Pos. 3&4 factory option for larger than DN50.

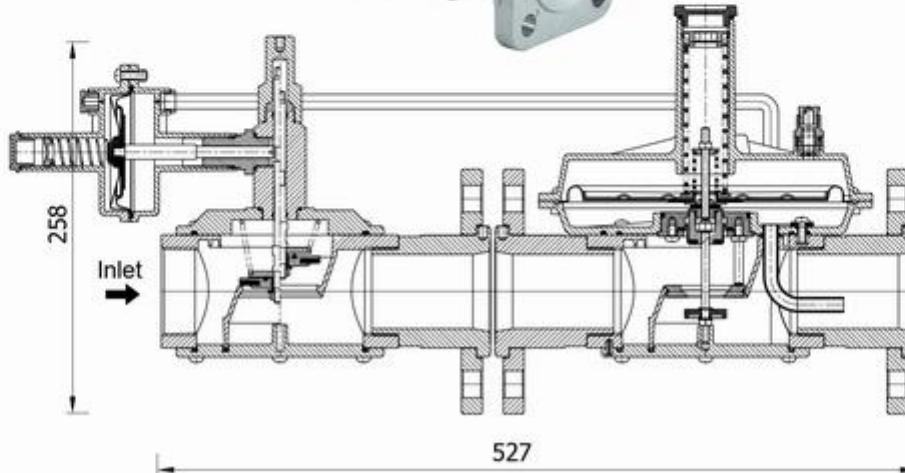
Top View (This is a schematic view)



**REGULATOR+MAX. PRESSURE SHUT OFF VALVE**

**SET852H**

P1max:5bar



Regulator - Max. Pressure Shut Off Valve Unit SET852(H) with inlet pressure up to 5 bar includes a Max. Pressure Shut Off Valve SET275, and a Regulator SET252(H), gas line connections (a pair of flange SET952 and required screws SET953), and required Sensor line connections.

The main advantages of this unit are: 1- Easy installation is the main benefit of this unit. 2- Reduce the risk of human error and ensure proper assembling of parts. 3- Use standard connections with high reliability. In order to convert it into a flanged regulator, two Integrated Flanges SET952 should also be ordered.

**Specifications:**

Regulator SET252(H) in accordance with EN 88-1 (EN88-2)

Max. Pressure Shut Off Valve SET275 in accordance with INSO 22107

Temperature range: -15 C to 60 C

Weight: 8.5 Kg

Gas type: NG, LPG, Town gas, AIR

DN-Nominal size: DN40 (Rp 1 1/2), DN50 (Rp 2)

According to ISO 7-1, EN 10226

Operating pressure range: 0.5 – 5 bar

Sensor hole connection: DN8 (G1/4)

In accordance with DIN ISO 228

Product Type	P2(mbar)	P1
SET852	8-13	Up to 500mbar (Code 05) 0.5-1 bar (Code 1) 1-2 bar (Code 2)
	13-20	
	15-25	
	25-43	
	43-70	
	33-58	
	55-110	
SET852H	90-200	0.5-5 bar (Code 5)
	10-22	
	17-32	
	32-60	
	50-95	
	85-180	
	150-350*	
300-500*		
	500-800*	

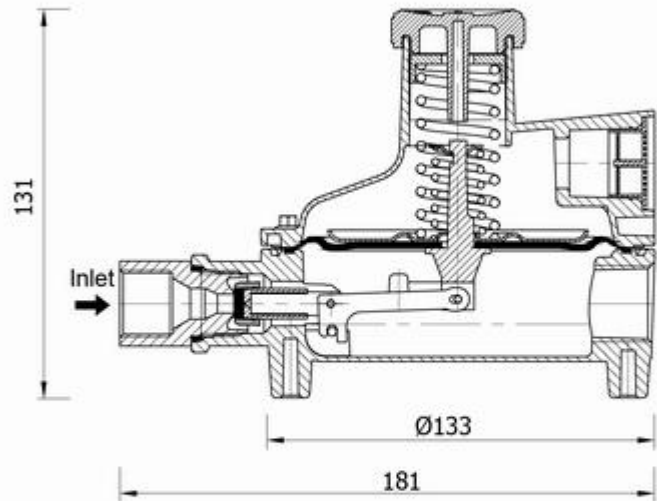
With reinforced diaphragm\*

Example of ordering code	
Type	SET852H
Nominal size (Rp 2)	/DN50
Maximum inlet pressure (1-2 bar)	/2
Outlet pressure (85-180 mbar)	/85150
PTN spot	/T4
Ordering code	SET852H/DN50/2/85150/T4

**HIGH PRESSURE FIRST STAGE  
REGULATOR**

**SET291**

P<sub>max</sub>:17.5bar



First stage regulator SET291 Provides accurate first stage regulation in two-stage bulk tank systems. Reduce tank pressure to an intermediate pressure of 5 to 10 PSIG. Also used to supply high pressure burners for applications like industrial furnaces or boilers. In addition, there is an incorporated integral relief valve for added system protection. In this model bonnet vent positioned over outlet to avoid icing and contamination by foreign material.

**Specifications:**

- Thread According to EN 16129 and UL144
- Temperature range: -30 C to 60 C
- Gas type: LPG, Propane, Butane
- Weight: 1.3 Kg
- Max. Inlet pressure: 250 PSIG

**Ordering Information**

Ordering Code ●	Adjustment Range mbar (PSIG)	Factory Delivery Pressure mbar (PSIG)	Input connection	Output connection	Orifice Size mm(inch)
SET291/1212/1	70-350(1-5)	350(5)	1/2F. NPT	1/2F. NPT	6.4 (1/4)
SET291/1212/2 *	350-700(5-10)	700(10)			
SET291/P12/1	70-350(1-5)	350(5)	F. POL **	3/4F. NPT	
SET291/P12/2 *	350-700(5-10)	700(10)			
SET291/P34/1	70-350(1-5)	350(5)			
SET291/P34/2 *	350-700(5-10)	700(10)			

\* Produced according to customer's order.

\*\* Equivalent to CGA510 and NGO-HL 0.885-14

Maximum flow based on inlet pressure 20 PSIG higher than the regulator setting and delivery pressure 20% lower than the setting: 50 kg/hr

**Warning:** When used for final stage pressure control, it must have an integral relief valve or a separate relief valve must be specified.

**Warning:** In a fixed pipe system, regulators installed indoors require a vent line to the outside air. Regulator has 3/4" F.NPT thread for vent piping.

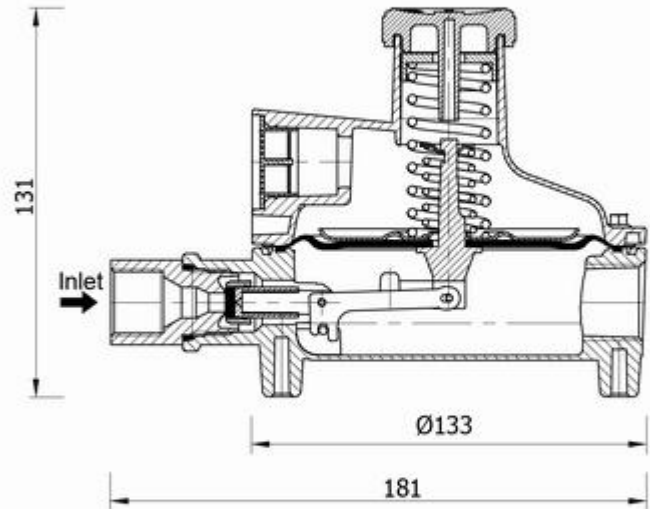
**Measuring the output pressure:** Built in pressure tap has plugged 1/8" F.NPT outlet. Plug can be removed with a 3/16" hex allen wrench.



**LOW PRESSURE SECOND STAGE  
REGULATOR**

**SET292**

P<sub>imax</sub>:1.4bar



Designed to reduce first stage pressure of 5 to 20 PSIG down to burner pressure, normally 11" w.c. Ideal for medium commercial installations, multiple cylinder installations and normal domestic loads. Its large vent helps prevent blockage. Also, Here is an incorporated integral relief valve for added system protection.

**Specifications:**

- Thread According to EN 16129 and UL144
- Temperature range: -30 C to 60 C
- Gas type: LPG, Propane, Butane
- Weight: 1.3 Kg
- Max. Inlet pressure: 20 PSIG

**Ordering Information**

Ordering Code	Adjustment Range mbar (PSIG)	Factory Delivery Pressure mbar (PSIG)	Input connection	Output connection	Orifice Size mm(inch)
SET292/1212	23-33 (9"-13")	28 (11")	2/1F. NPT	2/1F. NPT	6.4 (1/4)
SET291/1234			4/3F. NPT	4/3F. NPT	
SET291/3434					

Max. Flow based on 10 PSIG inlet and 9" w.c. delivery pressure: 20 kg/hr.

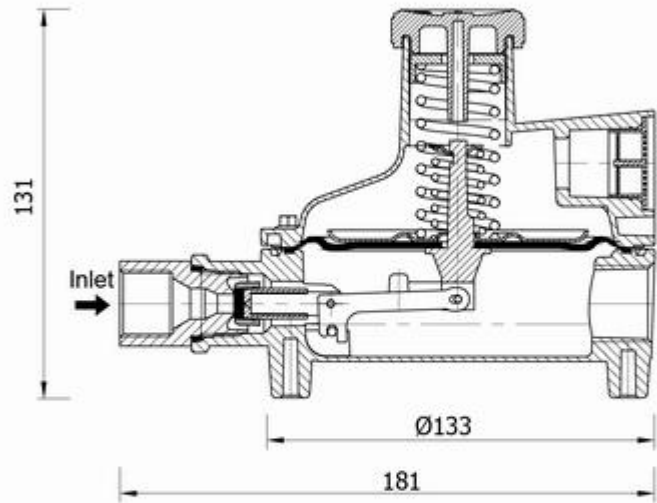
**Warning:** In a fixed pipe system, regulators installed indoors require a vent line to the outside air. Regulator has 3/4" F.NPT thread for vent piping.

**Measuring the output pressure:** Built in pressure tap has plugged 1/8" F.NPT outlet. Plug can be removed with a 3/16" hex Allen wrench.

TWIN STAGE REGULATOR

SET293

P<sub>max</sub>:10bar



Designed to reduce pressure up to 10 bar down to burner pressure, normally 11" w.c. Ideal for medium commercial installations, multiple cylinder installations and normal domestic loads. Its large vent helps prevent blockage. However, this regulator has limitations, such as lower capacity in comparison with two stage system.

Specifications:

- According to EN 16129 and UL144
- Temperature range: -30 C to 60 C
- Gas type: LPG, Propane, Butane
- Weight: 1.3 Kg
- Max. Inlet pressure: 10 bar

Ordering Information

Ordering Code	Adjustment Range mbar (PSIG)	Factory Delivery Pressure mbar (PSIG)	Input connection	Output connection	Orifice Size mm(inch)
SET293/1212/2333	23-33 (9"-13")	28 (11")	2/1F. NPT	2/1F. NPT	6.4 (1/4)
SET293/1234/2333				3/4F. NPT	
SET293/3434/2333			3/4F. NPT		

Max. Flow based on 5 bar inlet and 9" w.c. delivery pressure: 14 kg/hr.





**Measuring the output pressure:** Built in pressure tap has plugged 1/8" F.PTN outlet. Plug can be removed with a 3/16" hex Allen wrench.

**Warning:** In a fixed pipe system, regulators installed indoors require a vent line to the outside air. Regulator has 3/4" F.PTN thread for vent piping.



**ACCESSORIES**

Specifications:

Ordering code	Dimensions mm	Weight Kg	Description	Product Type
SET950X/DN25	Ø70x40	0.2	Rotating flange SET950X with Flange interface are suitable for converting threaded DN25 regulators, controls, relief valves and etc. Into a flanged one.	<b>SET950X</b> 
SET952/DN40	136x130x88	1.1	Integrated flange SET952 is designed to convert SETAAK threaded products into a flanged control. This product includes an integrated flange, M8x25 screws(x4), and one O-ring. It can be easily installed with SET953. A threaded control can be converted to a flanged one by a pair of SET952.	<b>SET952</b> 
SET952/DN50	136x130x88	0.9		
SET953/M16x70	M16x70	0.6	SET953 has a package of M16x60 screws(x4), M16 nuts(x4), and 8 washers to connect flanges to each other.	<b>SET953</b> 
SET1415	SW10x23	0.01	PTN (Pressure tapping nipple) SET1415 with M8x1 connection can be installed in the desired part to measure the gas line pressure. PTN diameter (9 mm) is according to the national standard of Iran.	<b>SET1415</b> 

### LOCSET ANAEROBIC ADHESIVE

Anaerobic adhesive is used for various purposes such as sealing of threaded connections, surface sealing, and retaining coaxial parts like bearings. They have different strengths, including easy, medium, and hard opening. They also vary in concentration and temperature. They start to stick only after being placed between two metal surfaces with low looseness. These adhesives have a shelf life of at least one year in the air and room temperature and are available in packages of 50 and 250 grams or more.



Ordering code	Color	Strength class	Maximum temperate	Concentration	Description
LOCSET1131	Red	Low	150	Medium	Low strength thread locking, For sealing of screws and thread connections, even for fine threads and grub screws, Easy to loosen.
LOCSET1231	Blue	Medium	150	Medium	Medium strength thread locking, sealing of thread and pipe connection, The standard product for securing of threads and sealing of threads, especially for sealing gas and oil pipe connections, With lubricating effect, Can be loosen.
LOCSET1231T	Blue	Medium	220	Medium	Medium strength thread locking, sealing of thread and pipe connection, The standard product for securing of threads and sealing of threads, especially for sealing gas and oil pipe connections, with lubricating effect, can be loosen.
LOCSET1331	Green	High	150	Medium	High strength (permanent) thread locking and sealing, For bonding of coaxial parts like bearings, Locking and sealing of high temperature to 220 c resistance, Disassembly difficult.
LOCSET1523	Green	High	220	Low	High strength (permanent) thread locking and sealing, low viscosity, for bonding of coaxial parts, bearing and bushings, Locking and sealing connection with high temperature to 220 c resistance, disassembly difficult.
LOCSET1531	Green	High	220	Medium	High strength (permanent) thread locking and sealing, medium viscosity, For bonding of coaxial parts, bearing and bushings, Locking and sealing connection with high temperature to 220 c resistance, Disassembly difficult.
LOCSET2238	Blue	Medium	150	High	Medium strength and high viscosity for sealing of threads and pipe connection, Replace hemp and Teflon tape, Especially for sealing gas and oil pipe connections, Can be loosen.
LOCSET2241	White	Medium	150	Super high	Medium strength and high viscosity based on PTFE, For securing and sealing of pipe fittings and metal thread connections, replaces hemp and Teflon tape, with lubricating effect, Can be loosen
LOCSET2338	Green	High	150	Super high	High strength and high viscosity, For sealing of thread and pipe connections, and sealing of surfaces, especially in the field of hydraulics resistance pressure up to 65 bar, Also for fastening of coaxial parts, bushings, bearings and shaft-hub-connections, Disassembly difficult.
LOCSET3247	Blue	Medium	150	Pasty	Low strength and high viscosity for sealing of surfaces, flanges and pipe connections, Run resistance even when applied on vertical surfaces, Easy to detach.
LOCSET4433	Green	Super high	175	Rather high	Bonding agent with super strength and high viscosity for fastening of coaxial components, bearings, bushings, and shaft-hub connections, permanent thread locking and sealing of thread connection, Level out uneven surfaces and gaps up to 0.3 mm, Very fast curing, With high heat resistance, Disassembly extremely difficult.

- Note:**
- 1- Color is not a specific sign of strength, concentration or etc.
  - 2- In the case of the first experience, it is recommended to choose an adhesive with a strength of one degree weaker than you mean.
  - 3- Contact the sales agents or the central sales unit for additional technical information.

